

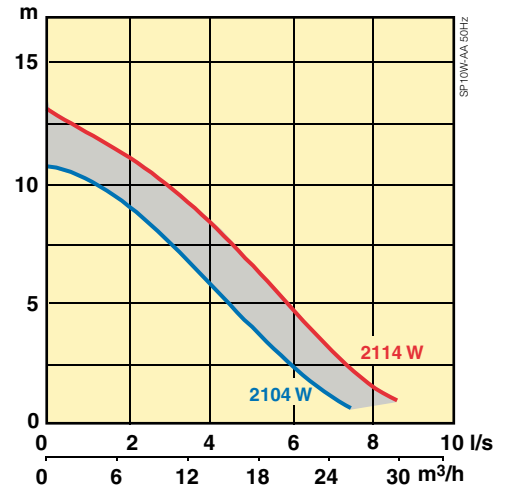
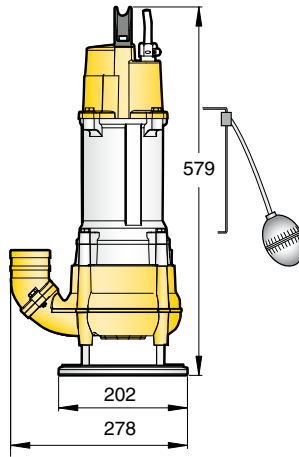
## PUMPEX SP 10 W

Pump types

**SP 10 W-2104**  
**SP 10 W-2114**  
**SP 10 WA\*-2114**

Speed 2850 rpm  
 Motor single-phase  
 Motor rating  $P_2$  0.9 kW  
 Power input  $P_1$  max 1.2 kW  
 Motor protection built-in  
 Electric cable 20 m type H07RN-F  
 Free passage  $\varnothing$  40 mm  
 Discharge connection hose 2", 2½", 3"  
 G 2", 2½", 3"

Weight (excl. cable) 18 kg



\*) Built in float switch available as option.

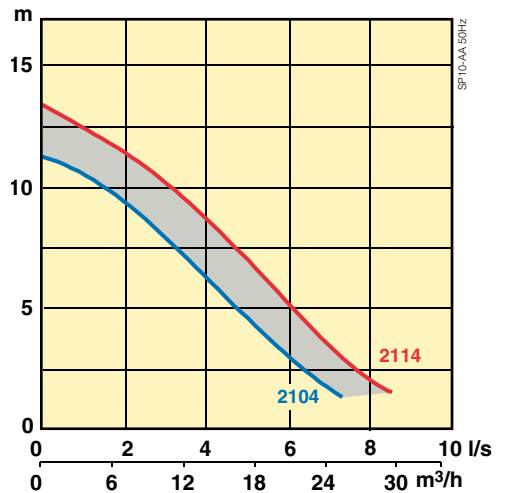
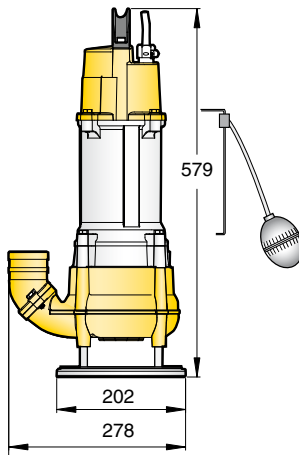
## PUMPEX SP 10

Pump types

**SP 10-2104**  
**SP 10-2114**  
**SP 10A\*-2114**

Speed 2850 rpm  
 Motor 3-phase  
 Motor rating  $P_2$  0.9 kW  
 Power input  $P_1$  max 1.2 kW  
 Motor protection built-in  
 Electric cable 20 m type H07RN-F  
 Free passage  $\varnothing$  40 mm  
 Discharge connection hose 2", 2½", 3"  
 G 2", 2½", 3"

Weight (excl. cable) 18 kg



\*) Built in float switch available as option, excl. 500V.

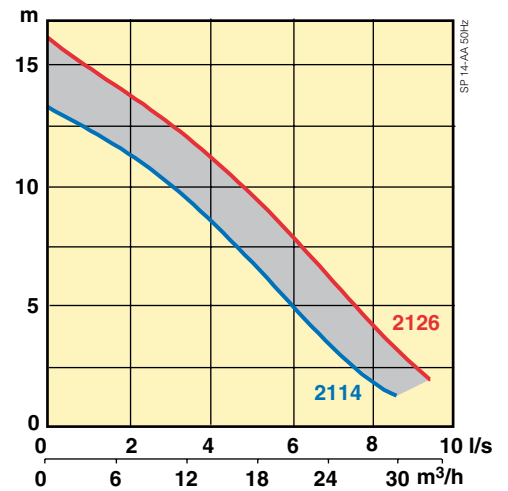
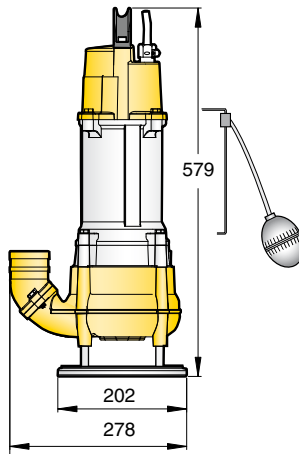
## PUMPEX SP 14

Pump types

**SP 14-2114**  
**SP 14-2126**  
**SP 14A\*-2126**

Speed 2850 rpm  
 Motor 3-phase  
 Motor rating  $P_2$  1.3 kW  
 Power input  $P_1$  max 1.6 kW  
 Motor protection built-in  
 Electric cable 20 m type H07RN-F  
 Free passage  $\varnothing$  40 mm  
 Discharge connection hose 2", 2½", 3"  
 G 2", 2½", 3"

Weight (excl. cable) 18 kg



\*) Built in float switch available as option, excl. 500V.

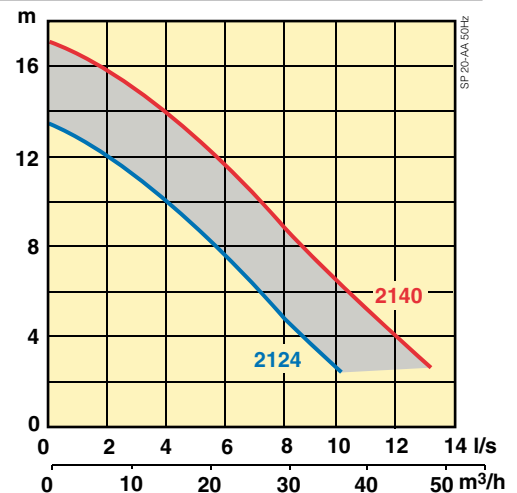
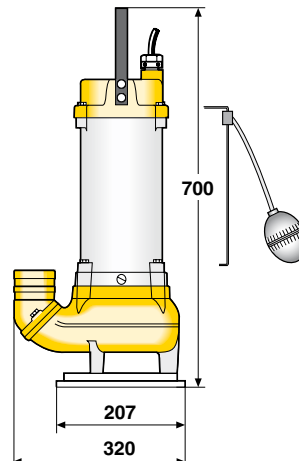
## PUMPEX SP 20

Pump types

**SP 20-2124**  
**SP 20A\*-2124**  
**SP 20-2140**  
**SP 20A\*-2140**

Speed 2870 rpm  
 Motor 3-phase  
 Motor rating  $P_2$  2.0 kW  
 Power input  $P_1$  max 2.4 kW  
 Motor protection built-in  
 Electric cable 20 m type H07RN-F  
 Free passage  $\varnothing$  60 mm  
 Discharge connection hose 2½", 3", 4"  
 G 2½", 3", 4"

Weight (excl. cable) 29 kg



\*) Built in float switch available as option, excl. 500V.

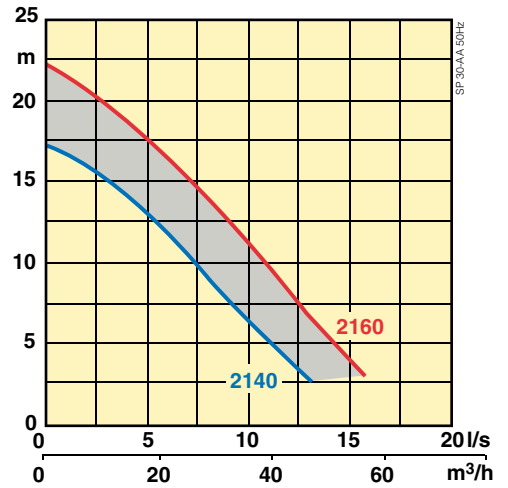
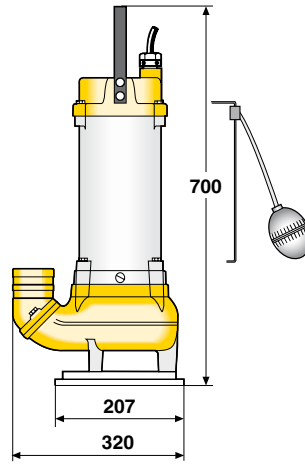
# PUMPEX SP 30

## Pump types

**SP 30-2140**  
**SP 30A\*-2140**  
**SP 30-2160**  
**SP 30A\*-2160**

Speed 2870 rpm  
 Motor 3-phase  
 Motor rating  $P_2$  3.3 kW  
 Power input  $P_1$  max 3.9 kW  
 Motor protection built-in  
 Electric cable 20 m type H07RN-F  
 Free passage  $\varnothing$  60 mm  
 Discharge connection hose 2½", 3", 4"  
 G 2½", 3", 4"

Weight (excl. cable) 31 kg



\*) Built in float switch available as option, excl. 500V.

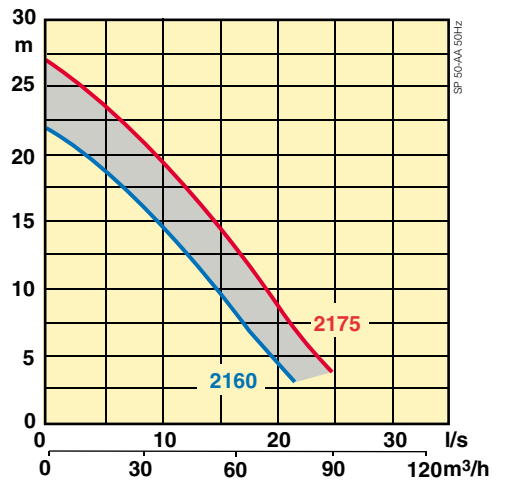
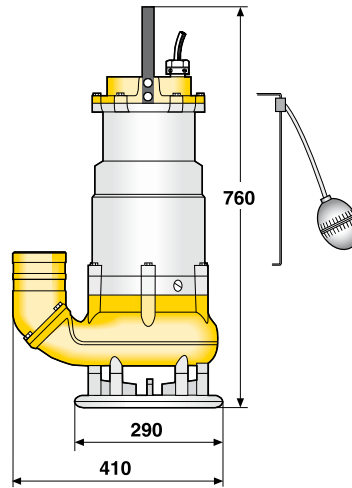
# PUMPEX SP 50

## Pump types

**SP 50-2160**  
**SP 50A\*-2160**  
**SP 50-2175**  
**SP 50A\*-2175**

Speed 2850 rpm  
 Motor 3-phase  
 Motor rating  $P_2$  5.2 kW  
 Power input  $P_1$  max 6.2 kW  
 Motor protection built-in  
 Electric cable 20 m type H07RN-F  
 Free passage  $\varnothing$  65 mm  
 Discharge connection hose 3", 4"  
 G 3", 4"

Weight (excl. cable) 54 kg



\*) Built in float switch available as option, excl. 500V.

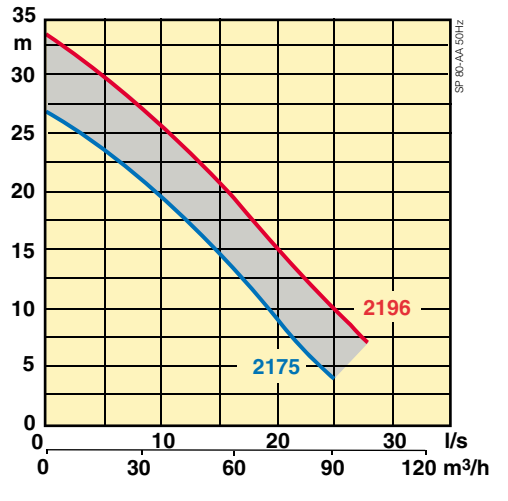
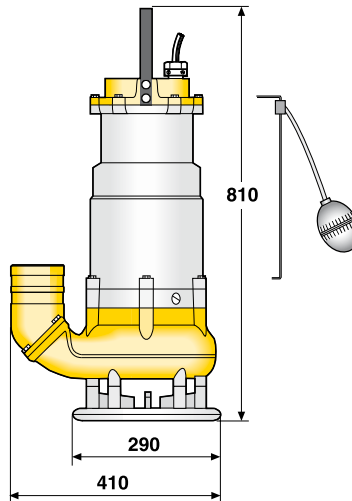
# PUMPEX SP 80

## Pump types

**SP 80-2175**  
**SP 80A\*-2175**  
**SP 80-2196**  
**SP 80A\*-2196**

Speed 2850 rpm  
 Motor 3-phase  
 Motor rating  $P_2$  8.0 kW  
 Power input  $P_1$  max 9.4 kW  
 Motor protection built-in  
 Electric cable 20 m type H07RN-F  
 Free passage  $\varnothing$  65 mm  
 Discharge connection hose 3", 4"  
 G 3", 4"

Weight (excl. cable) 67 kg



\*) Built in float switch available as option, excl. 500V.

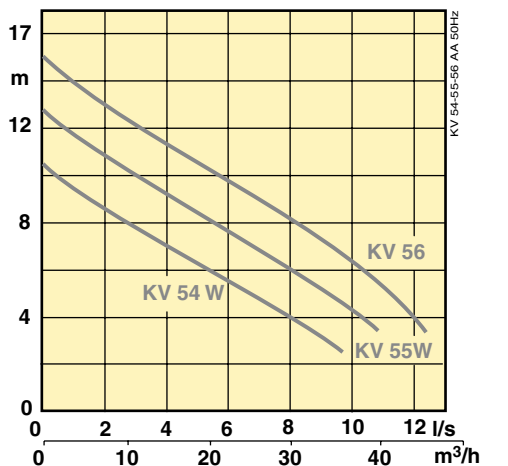
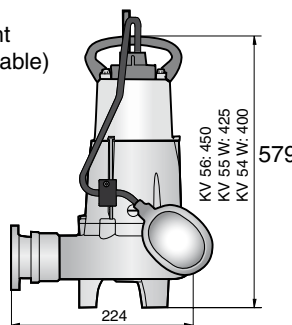
Light duty pump

# PUMPEX KV 54-56

## Pump Types

Pump Types	Motor P 2 kW	Power input P1 max kW	Weight (incl cable)
<b>KV 54 W / KV 54 WA*</b>	1.0	1.5	15 kg
<b>KV 55 W / KV 55 WA*</b>	1.5	2.0	17 kg
<b>KV 56 / KV 56A*</b>	2.0	2.6	20 kg

Speed 2900 rpm  
 Motor 3-phase, W=single-phase  
 Motor protection built-in  
 Electric cable 10 m type H07RN-F  
 Free passage 40 mm  
 Discharge connection hose 2", G 2"



\*) Built in float switch available as option.